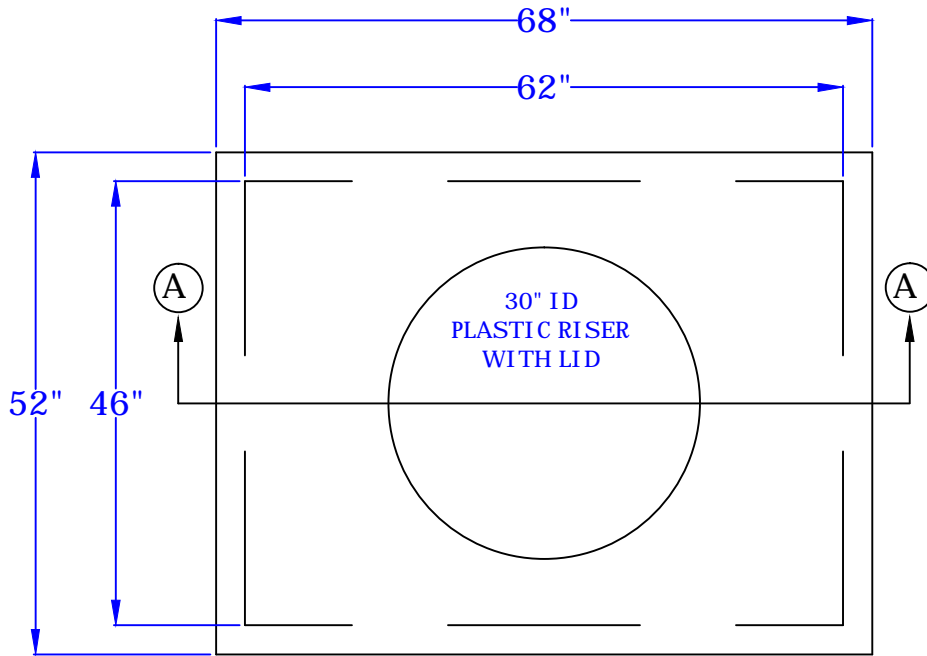


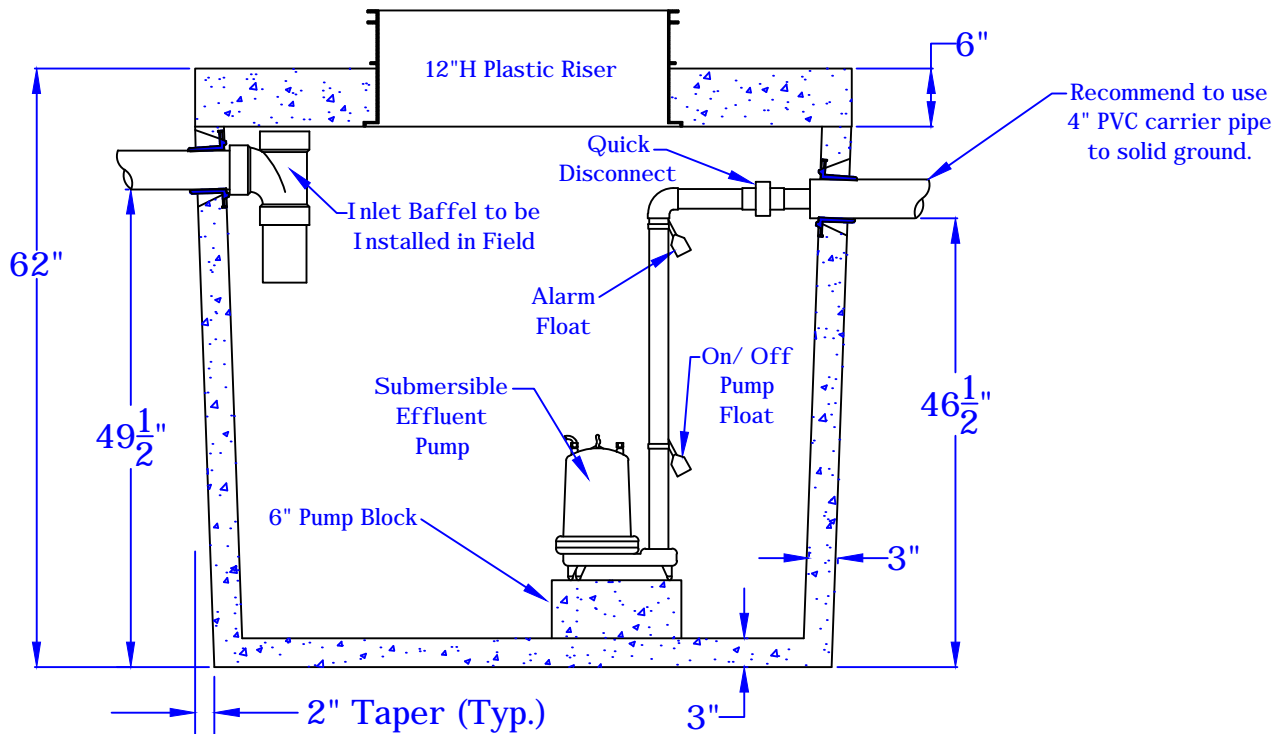
Rosenberry's Septic Service

8885 Pineville Road, Shippensburg Pa 17257
Phone 717-532-4026 Fax 717-532-7229

500 Gallon Dose Tank
with 30" Riser



Plan View of Lid
No Scale



Section of 500 Gallon Tank
No Scale

NOTE:

Tank shown with effluent pump.
Pump to be purchased separately.

This drawing is for informational use only.
If you have any questions call Rosenberrys
Septic Tank Service at 717-532-4026
Sept 2005, revised Feb 2011